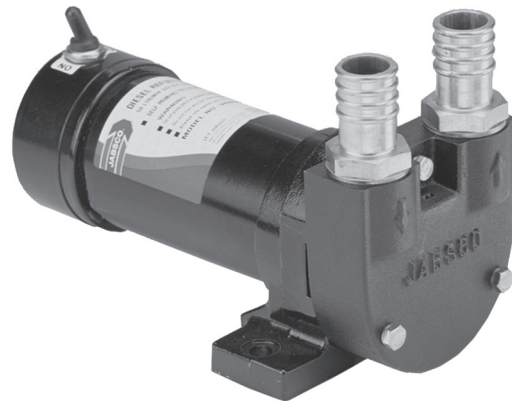


### VR050 12/24V Fuel Transfer Pump

#### Features

- Faster refuelling - 50 litres/minute (13 GPM)
- High head capability - 10 metres (32 feet)
- Self priming up to 3 metres (9.6 feet)
- Continuously rated\*
- Vibration tested
- IP55 protected motor
- 24V version with thermal cut-out protection
- Full range of installation accessories
- Customised kits for OEM customers



#### Typical Applications

- Designed for refuelling medium sizes diesel powered vehicles [typical tank sizes 200 - 500 litres (50 - 200 gallons)] from drums.
- Suitable for mounting to the following equipment: Excavators, Cranes, Road rollers (compactors), Pavers, Agricultural machines, Generators, Helicopters.
- Suitable for diesel fuel, Kerosene, Paraffin, Hydraulic oils, Oils up to 150 centi Stokes (750 Saybolt Universal) viscosity.

#### Specifications

**Temperature Range :** -30°C to +50°C (-22°F to +104°F)

**Pump Body :** Cast Iron

**Rotor :** Sintered Iron

**Vanes :** Sintered Bronze

**Shaft :** Carbon Steel

**Seal :** Nitrile Lip Seal. (Viton - 2120v - 2022v)

**Ports :** Vertical ¾" BSP or 25mm hose adaptors (1").

**Motor :** 12V or 24V DC permanent magnet, corrosion resistant IP55 protected

**Duty :** \*Continuously rated up to 3 metres (10 ft.), total head of diesel fuel at 40°C (104°)

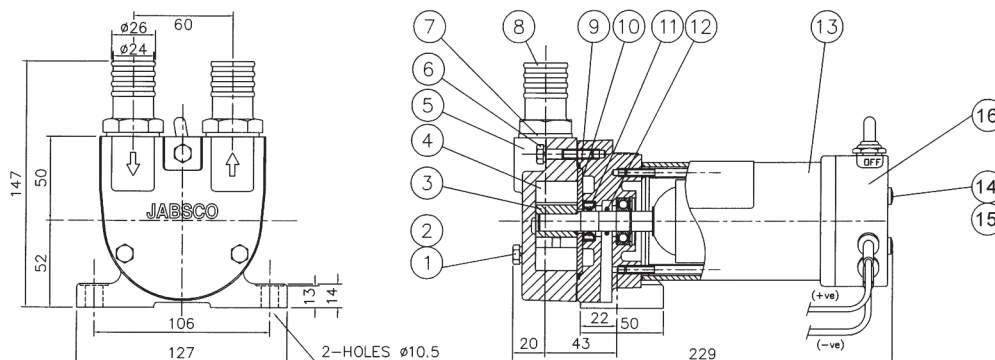
#### Model Range

Model number	Description
VR050-2022V	¾" BSP ports, 12v DC, switch & fuse for B20 BIO DIESEL
VR050-2022	¾" BSP ports, 12v DC, switch & fuse
VR050-2120V	¾" BSP ports, 24v DC, for B20 BIO DIESEL
VR050-2120	¾" BSP ports, 24v DC
VR050-2122	¾" BSP ports, 24v DC, switch & fuse
VR050-1120	25mm (1"), Hose ports, 24v DC
VR050-1022	25mm (1"), Hose ports, 12v DC, switch & fuse
VR050-1122	25mm (1"), Hose ports, 24v DC, switch & fuse
VR050-1123	25mm (1"), Hose ports, 24v DC, automatic shut off controller
VR050-B013	25mm (1"), Hose ports, 24v DC, switch & fuse, fitted with by-pass
<b>Accessories For further information see Data Sheet 43010-0031</b>	
23738-0010B	Check valve kit
23739-0000B	Foot valve kit
23739-0100B	Foot valve with shrouded strainer
23541-0001G	Hose - 25mm (1") bore, [per metre]
23733-0000	Suction strainer 250 micron
50290-1000	Shrouded strainer



**Explosion hazard. Do not pump gasoline, solvents, thinners or other flammable liquids. To do so can cause an explosion resulting in injury or death.**

Dimensions in mm (inches)



### Parts List

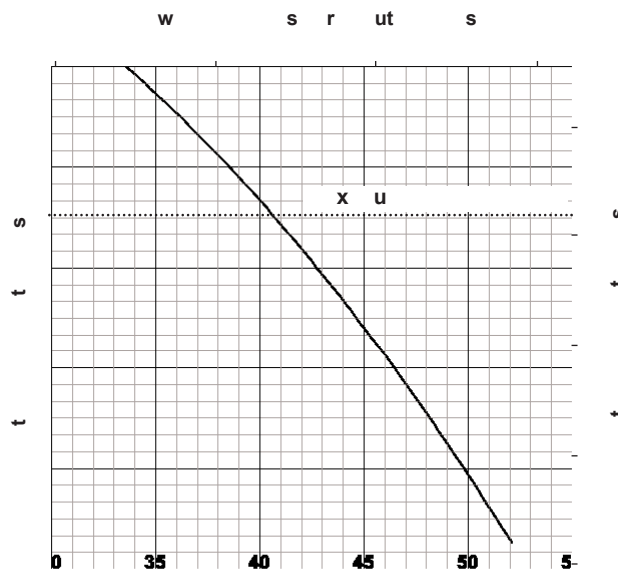
Key	Description	Qty	Part No.	Version -2120V	
1	Bolt	M6 x 42	2	X3000-191F	
2	Spring washer		3	X3081-091F	
3	Rotor		1	50242-0000	
4	Vane*		4	Use SK421-0000	
5	Body	BSP	1	50244-2000	
		NPT	1	50244-9000	
6	Bolt	M6 x 30	1	X3000-186F	
7	Sealing Washer		2	SP1613-1415	
8	Port adaptor		2	23543-1000	
9	O-Ring*		1	X4020-264A	X4020- 264B
10	Backplate		1	50246-0000	
11	Seal*		1	SP2701-0504	SP2701- 1071
12	O-Ring*		1	X4020-211A	X4020- 211B
13	Motor	With Switch 12V	1	98012-9295B	
		& Fuse 24V	1	98012-9296B	
		Basic 24V	1	98012-9297B	
14	Screw (Pack 10)		2	91046-6001B	
15	Sealing washer (Pack 10)		2	91608-6001B	
16	Fuse (Pack 10)	20 Amp (12V)	1	92005-6020B	
		10 Amp (24V)	1	92005-6010B	

Service kit contains items marked \*SK421-0000

#### Note

All performance information is based on diesel fuel at 20°C (68°F).  
On production product, this may vary by up to 10%.  
Maximum recommended total head of diesel fuel is 10 metres.

### Performance



**Current Draw** 12V = 12 Amps @ 3m head

24V = 6 Amps @ 3m head

**Maximum Current** 12V = 20 Amps

24V = 10 Amps

#### Safety

Do not use for pumping petrol, gasoline or products with a flash point below 37°C (99°F).  
Do not dry run.  
Always fit a fuse.

**xylem**  
Let's Solve Water

JabSCO, 1 Kondelin Road, Cape Ann Industrial Park, Gloucester, MA 01930  
Tel: +1 978 281 0440 Fax: +1 978 283 2619

USA

JabSCO, Bingley Road, Hoddesdon, Hertfordshire, EN11 0BU  
Tel: +44 (0) 1992 450 145 Fax: +44 (0) 1992 467 132

UK

NHK JabSCO Co Ltd, 3-21-10, Shin - Yokohama Kohoku-ku, Yokohama 222  
Tel: +81 (0) 45 475 8906 Fax: +81 (0) 45 475 8908

JAPAN

JabSCO GmbH, Ostraße 28, 22844 Norderstedt  
Tel: +49 (0) 40 53 53 73 0 Fax: +49 (0) 49 53 53 73 11

GERMANY

JabSCO Italia, s.r.l., Via Tommaseo, 6, 20059 Vimercate, Milano  
Tel: +39 039 685 2323 Fax: +39 039 666 307

ITALY