



Model 37255-Series

QUIET - FLUSH ELECTRIC TOILET CONVERSION FEATURES

- Very quiet flush cycle - like a household toilet
- Converts all Jabsco, Par manual toilets and early electric toilets to the new Quiet-Flush System
- Also converts Groco HC, HE & HF; Raritan PH, Cricket, Compact & Crown; Sealand (Mansfield) 750 to 752 series and all Wilcox Crittenden toilets
- Single button flush actuator - with dual function water level control switch
- Supplied with Par-Max 4 self-priming pump to provide sea water or lake water to rinse the toilet bowl
- High capacity waste macerator and bowl discharge pump

SPECIFICATIONS

PORTS	PAR-MAX Pump and Toilet Inlet 3/4" Hose Barb Outlet 1" Hose Barb
MOTOR & SWITCH	Pump and Toilet meet U.S.C.G. Regulation 183.410 and ISO 8846 Marine for Ignition Protection. EMC Models Available

WATER CONSUMPTION	1-2 Quarts (Litres)/Flush
-------------------	---------------------------

VARIATIONS

MODEL NO.	DESCRIPTION
37255-0012	Toilet Conversion, 12 Volt DC
37255-0092*	Toilet Conversion, 12 Volt EMC
37255-0024	Toilet Conversion, 24 Volt DC
37255-0094*	Toilet Conversion, 24 Volt EMC

*This model is  Marked and complies with EN50081-1 for suppression of electro-magnetic interference.

OPERATION

The Quiet-Flush Toilet Conversion provides both quiet operation and user control of water levels in the toilet bowl. A single large pushbutton switch provides a simple flush mode by activating both the rinse water supply and the macerator discharge pump simultaneously. An additional rocker switch offers independent control of the rinse water supply and discharge pump separately so the bowl water level can be easily raised or lowered by the user. This provides a method of minimizing water use, when desired, as well as a means of raising the



Model 37255-Series

water level in the bowl when appropriate for user comfort. It also allows for complete evacuation of the bowl water while underway in rough sea conditions.

INSTALLATION

The 37255-Series Quiet-Flush Toilet Conversion is complete with a dedicated PAR-MAX 4 pump to provide either sea or lake water to rinse the toilet bowl when flushing the toilet. This pump is intended to be located remotely from the toilet but will function best if the distance from the toilet is kept to a minimum. Because it is self-priming, it may be located above the vessel's waterline. It must be installed with the Pumpgard strainer (provided with the toilet) located somewhere in the inlet plumbing to the pump. The toilet also includes a multi-function flush control which should be installed in a bulkhead location that is convenient to the toilet and allows access for wiring to run from the power source and to both the toilet discharge pump and the PAR-MAX rinse water pump.

Before beginning the conversion, close all seacocks connected with the toilet's plumbing system and take precaution to ensure they remain closed until the conversion is complete. If the toilet being converted is an electric toilet, disconnect the electrical power to the toilet and take precaution to ensure it is not restored until the conversion is complete.


Disconnect both inlet and discharge hoses from the old toilet and remove the toilet from its mounting surface. If the toilet being converted is an electric model, disconnect the electrical wiring from the toilet. Remove the hose connected to the back of the toilet's china bowl and remove the china bowl and seat & lid assembly from the old toilet base assembly. Ensure the bottom surface of the china bowl is clean. The waste pump can be oriented in any of the four possible mounting positions that provides the best clearance from surrounding obstructions but is generally best positioned so it points to the rear of the toilet bowl. The four 6 mm machine screws must be

secured into the base to form mounting studs to attach the china bowl. Place one starlock washer on each of the hex head machine screws and a 6 mm hex nut in each of the hex shaped pockets on the top surface of the base. From the underside of the base, screw one machine screw into each of the nuts in the hex shaped pockets and tighten it to form bowl mounting studs. Position the square section O-ring in the O-ring groove on the top of the base and place the china bowl on the base in the desired orientation relative to the pump assembly. Place one plastic washer (to protect the china), then one stainless steel washer on each machine screw and attach the remaining hex nuts to secure the bowl to the base. Cap each machine screw and nut with a white decorative nut cap.

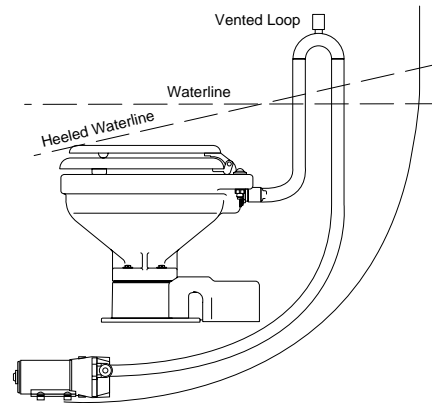
Position the toilet assembly in its intended installed position. When locating the toilet, ensure there is adequate clearance above and to the rear of the bowl so the seat and lid assembly can rotate slightly past vertical and will remain up when lifted. Once the exact position for the toilet has been determined, mark the location of the three base attachment holes on the toilet mounting surface. Determine the best toilet attachment method using 1/4" (6 mm) fasteners (either machine screws for through bolting or lag screws for topside attachment) and drill the appropriate size holes for the fasteners being used. If securing the toilet with lag screws into a plywood underlayment below fiberglass, be sure to drill a hole through just the fiberglass layer large enough to allow clearance for the screw threads and shank to avoid cracking the fiberglass.

The PAR-MAX pump should be mounted to a solid mounting surface. It should be secured with four fasteners through the rubber grommets that snap into the pump's base. Do not over-tighten the mounting screws and crush the grommets such that they will not absorb vibration. The pump may be mounted in any position; however, if mounting it to a vertical surface it should be oriented so water dripping from a loose port connection will not drip down on the motor. Plumbing runs should be kept as short and straight as possible. All plumbing should be completed with quality 3/4" (19 mm) hose that will not collapse or kink. Route the inlet hose from a 3/4" (19 mm) through hull and seacock fitting located well below the waterline (and well forward of any discharge through hulls, if installed) to the pump inlet port. Ensure the inlet hose passes through an accessible location (preferably above the vessel's waterline) that will allow for the installation of the Toilet Pumpgard strainer where it can be periodically inspected and cleaned of debris. The Pumpgard strainer should be secured with two fasteners to a solid mounting surface with the flow arrow pointing towards the pump. The inlet hose should be cut and each end attached to the strainer's ports. The hose from the strainer's discharge port must connect with the PARMAX pump's inlet port. Provided with the toilet is a six foot length of smooth white aesthetically pleasing hose to connect to the back of the toilet bowl and be routed out of the head area. Ideally, the PAR-MAX pump should be located so this length of hose can be connected directly to the pump's discharge port avoiding an additional splice to the hose

leading from the pump to the back of the toilet bowl. If this is not practical, acquire a 3/4" (19 mm) barb to barb hose mender and splice the white hose to the supply hose from the discharge port of the pump.


	<p>WARNING Flood hazard. If toilet is installed below the waterline, it must be installed with a properly positioned vented loop in the discharge hose. Failure to do so can result in flooding which can cause loss of property and life.</p>
---	---

If the toilet is installed below the vessel's waterline, in order to prevent a siphon action from filling the toilet, a properly positioned vented loop fitting must be installed between the PAR-MAX pump and the back of the toilet bowl. The vented loop fitting must be secured in a location that remains at least 6-8 inches (15-20 cm) above the waterline at all angles of heel and trim (see diagram).



The toilet discharge port is sized for 1" (25 mm) hose. The discharge hose should be a quality grade reinforced hose suitable for waste applications. Route the discharge hose to the holding tank in the most direct way with as few bends as possible. To retain some water in the bowl, it is best to loop the discharge hose up about 8-10 inches (15-20 cm) as close to the toilet as practical then on to the holding tank. It is best to avoid any dips or low spots in the discharge plumbing that can act as water traps and collect waste. If this occurs, waste can solidify and cause a discharge blockage.

If the toilet is plumbed to an overboard discharge, and is below the vessel's waterline, the discharge plumbing must include a properly positioned vented loop. The vented loop fitting must be secured in a location that remains at least 6-8 inches (15-20 cm) above the waterline at all angles of heel and trim. The maximum discharge head without a notable decrease in pump performance is four feet (1.3 M).

	<p>WARNING Flood hazard. If toilet is installed below the waterline, it must be installed with a properly positioned vented loop in the discharge hose. Failure to do so can result in flooding which can cause loss of property and life.</p>
---	---

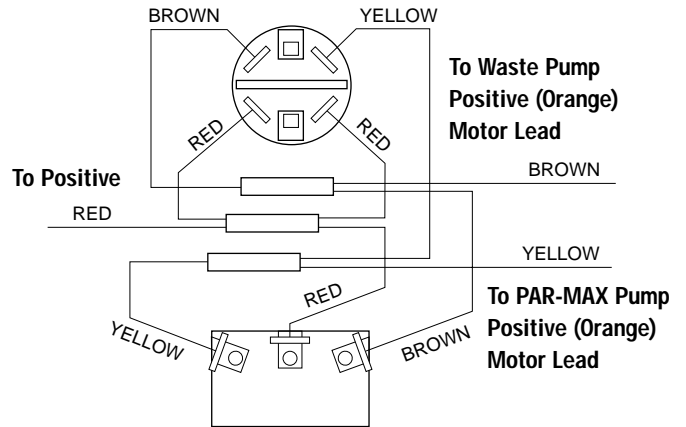
ELECTRICAL

The electrical wiring should be independent of all other accessories. It should be made with marine grade copper stranded wire of the gauge specified in the electrical specifications chart. Make all wire connections with mechanical locking type connectors (crimp type butt connectors and terminals). Ensure the circuit is protected by a proper sized fuse or circuit breaker determined from the electrical specifications chart. Secure all wires to a solid surface approximately every eighteen inches (1/2 M) along their entire length of run.

Wire the switch panel to the PAR-MAX rinse pump and toilet waste pump as per the following wiring diagram. The brown lead from the control panel connects with the waste pump orange (positive) motor lead. The yellow lead from the control panel connects with the PAR-MAX rinse water pump orange (positive) motor lead. The black motor lead from each pump must be connected to battery negative. Select a location for the switch panel that is convenient to the toilet user and will also allow access to run the wires from the switch panel to both the toilet's waste pump motor and the PAR-MAX pump as well as from the electrical power source to the switch panel. To install the switch

panel, drill two 1-3/4" (45 mm) diameter holes (slightly overlapping) through the selected switch mounting surface per the attached template. Ensure the template is oriented correctly because it is not symmetrical. Also, drill four appropriate sized holes for the fasteners selected to secure the switch panel to its mounting surface.

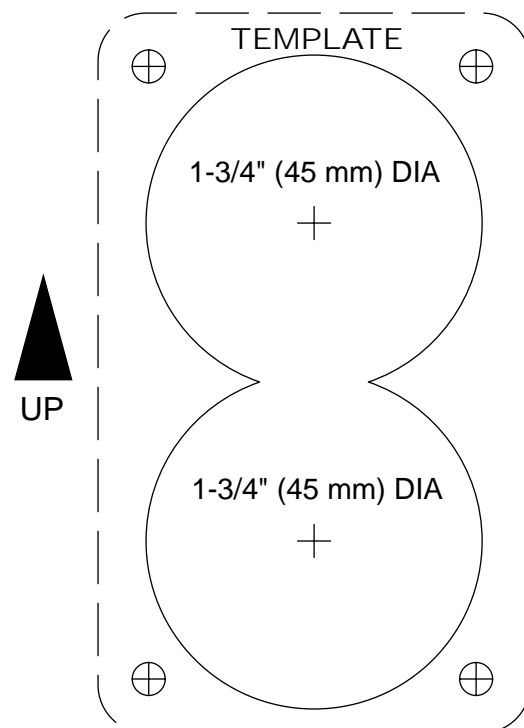
WIRING DIAGRAM



ELECTRICAL SPECIFICATIONS

VOLTAGE	AMP DRAW	FUSE SIZE	WIRE SIZE PER FEET OF RUN*				
			0'-10' (0 M-3 M)	10'-15' (3 M-4,6 M)	15'-25' (4,6 M-7,6 M)	25'-40' (7,6 M-12,2 M)	40'-60'(12,2 M-18,3 M)
12 Vdc	10	25	#16 (1,5 mm ²)	#14 (2,5 mm ²)	#12 (4 mm ²)	#10 (6 mm ²)	#8 (10 mm ²)
24 Vdc	5	15	#16 (1,5 mm ²)	#16 (1,5 mm ²)	#16 (1,5 mm ²)	#14 (2,5 mm ²)	#12 (4 mm ²)

* Length of run is total distance from power source to product and back to ground.



WASTE PUMP SERVICE

The Jabsco Quiet-Flush Toilet does not require routine maintenance other than occasional cleaning to maintain a hygienic sanitary condition. Clean toilet with mild non-abrasive cleaners without strong aromatics. Cleaners having high concentrations of aromatics such as pine scented concentrated cleaners and strongly scented degreaser concentrates can cause the pump's seal to swell and may contribute to a premature seal leak.

The toilet has no wearing parts that need periodic replacement other than the shaft seal which, under normal conditions, should provide several years of service before needing replacement. The seal only requires replacement if signs of leakage are noticed under the seal housing positioned between the motor and toilet base assembly.

NOTICE: Before performing any service, turn off the electrical power to the toilet and rinse water pump. Take precaution to ensure it is not turned on until the service is complete. Also, pump all water from the toilet bowl and if connected to an overboard discharge, close the discharge seacock.

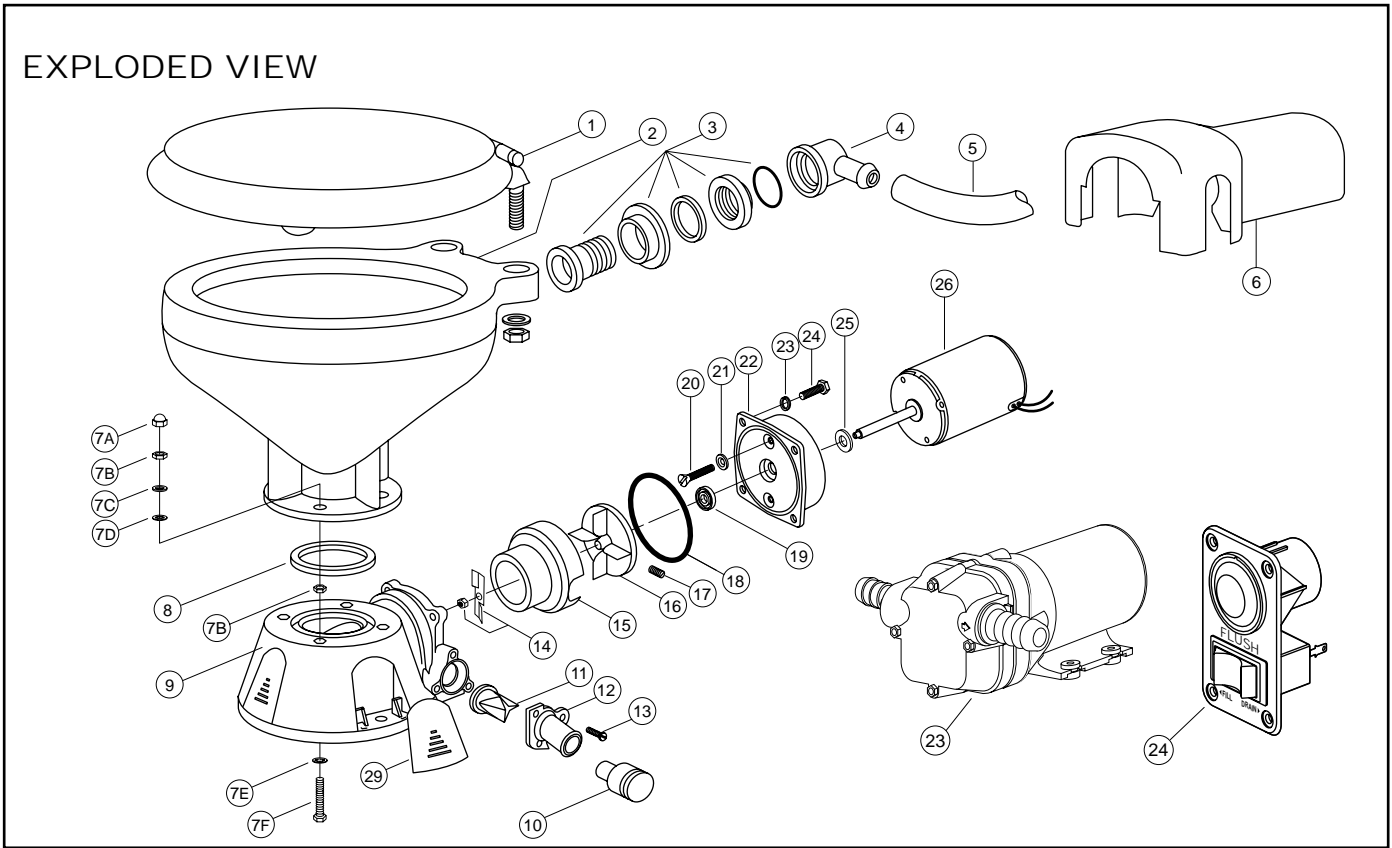
To replace the shaft seal, snap off the white motor cover and remove the pump assembly by removing the four screws with lock washers that secure it to the toilet base. Carefully slide the pump assembly from the base ensuring the macerator housing also slides out of the base with the pump. The pump chopper will engage the macerator housing and it may be necessary to gently tap the chopper against the macerator housing to free it from the base.

Prevent the motor shaft from turning by inserting a screwdriver in the shaft slot at the rear of the motor and unscrew the chopper. Remove the chopper, lock washer and macerator housing from the motor shaft. Remove the O-ring from the O-ring groove around the outer diameter of the seal housing. With an allen wrench, loosen the centrifugal impeller set screw and slide the impeller off the shaft. Remove the two screws that secure the seal housing to the motor and slide the housing off the motor shaft. Remove the two seal washers from under the head of each of the two seal housing retainer screws. With a pair of needle nose pliers, grasp the shaft seal and pull it from the seal housing. Clean all parts and inspect for damage.

Lubricate the OD of the new seal with a small amount of water and press it into the seal bore with the seal's lip facing the threaded end of the shaft. *Do not use the stainless steel star retaining washer supplied with the seal.* Lubricate the ID of the seal and the motor shaft with a small amount of water resistant grease. Ensure the slinger is properly positioned on the motor shaft next to the motor and slide the seal housing onto the motor shaft until it is against the motor end bell. Position a new plastic seal washer under the head of each of the flat head seal housing retainer screws and secure the seal housing to the motor. Slide the centrifugal impeller on the motor shaft positioning it about 1/32" (1 mm) from the seal housing and secure it to the shaft with the set screw. Rotate the impeller to ensure it does not rub on the seal housing.

Slide the macerator housing over the motor shaft, place the lock washer on the end of the shaft and screw the chopper onto the shaft. Tighten the chopper while holding the motor shaft at the rear of the motor. Position a new O-ring in the seal housing O-ring groove (it may be retained in the groove with a small amount of grease). Slide the pump assembly into the toilet base ensuring the macerator housing is properly positioned within the base. The cut-out in the side of the macerator housing must align with the discharge port in the base (the macerator housing is keyed so it will only go in when properly positioned). Ensuring the O-ring is still properly positioned in the O-ring groove in the seal housing, place the pump assembly against the base and secure it in place with the four screws and lock washers. Replace the white motor cover by snapping it down over the pump motor.

EXPLODED VIEW



PARTS LIST

Key	Description	Qty. Req.	Part Number	Key	Description	Qty. Req.	Part Number
1	Seat & Cover, Compact Size	1	18753-0437	20	Screw	2	91010-0144
	Seat & Cover, Household Size	1	18753-0438	21	Washer, Plastic*	2	35445-0000
2	Bowl, Compact Size	1	59127-7002	22	Seal Housing	1	37043-1000
	Bowl, Household Size	1	18753-0060	23	Lock Washer #10, Stainless Steel	4	
3 & 4	Bowl Spud & Intake Elbow & O-ring	1	29048-0000	24	Screw	4	91027-0011
5	Hose, 6 feet	1	29035-1031	25	Slinger	1	6342-0000
6	Motor Cover	1	37042-1000	26	Motors:		
7	Bowl Installation Hardware	1	18753-0637		Motor - 12 Volt	1	18753-0554
7A	Hex Head Screw**	4			Motor - 12 Volt EMC	1	18753-0582
7B	Washer, Starlock**	4			Motor - 24 Volt	1	18753-0555
7C	Washer, Plastic**	4			Motor - 24 Volt EMC	1	18753-0583
7D	Washer, Stainless Steel**	4		27	PAR-MAX 4 Rinse Water Pump		
7E	Hex Nut** (Two places)	8			12 Volt	1	30631-1012
7F	Nut Cap**	4			12 Volt EMC	1	30631-1092
8	Bowl O-Ring Seal	1	44101-1000		24 Volt	1	30631-1024
9	Base Assembly**	1	37004-1000		24 Volt EMC	1	30631-1094
10	1-1/2" Adaptor, Discharge Port	1	98023-0080	28	Switch Panel	1	37047-1000
11	Joker Valve* **	1	44106-1000	29	Screw Cover (3 each)	1	37003-1000
12	1" Discharge Port**	1	44107-1000		Service Kit		90197-0000
13	Screw**	3	96050-0568		Waste Pump Assembly		
14	Chopper Plate with Lock Nut	1	37056-1000		12 Volt		37072-0012
15	Macerator Housing	1	37014-0000		12 Volt EMC		37072-0092
16	Centrifugal Impeller	1	37006-0000		24 Volt		37072-0024
17	Set Screw	1	18753-0492		24 Volt EMC		37072-0094
18	O-ring*	1	43990-0066				
19	Seal *	1	1040-0000				

* Parts Supplied with Service Kit.

** Parts included with base 37004-1000.

PAR-MAX SERVICE INSTRUCTIONS

The PAR-MAX rinse water supply pump needs no periodic maintenance for proper performance. The only time service work should need to be performed on the pump is if it should begin to leak water, suddenly delivers less water than normal or should stop pumping altogether. Should the pump begin to leak water, it will be necessary to replace the diaphragm. If the pump delivers a reduced rate of flow from normal or stops pumping altogether, it will be necessary to either remove debris from the pump's flapper valves or replace the valve cage assembly.

Notice: Before performing any service, turn off the electrical power to the toilet and rinse water pump. Take precaution to ensure it is not turned on until service is complete. Close the inlet fitting seacock.

It is generally easiest to remove the pump from its installed position so that the service can be performed on a work bench. To do this, disconnect the electrical wires from the motor wire leads. Push the port retainer clips back toward the pump motor and pull the port fittings from the port sockets. Unscrew the four pump mounting fasteners and remove the pump to a location where it can be disassembled without losing any of the pump components.

Loosen the four 5/16" hex (slotted) machine screws in the pump body and remove the body from the motor and wobble plate housing (use care to not drop and lose the port retainer clips and body retaining screws and washers). The valve cage will now be exposed which can be easily lifted off the diaphragm. Inspect the four outer inlet valves and central discharge valve to ensure they seat smoothly against the valve cage. Lift the outer edges of each valve to make certain there is no debris lodged under any valve. If there is debris lodged under any of the valves, it will cause a diminished flow rate or loss of flow entirely. If the valves do not seat smoothly against the valve cage, the valve cage assembly should be replaced.

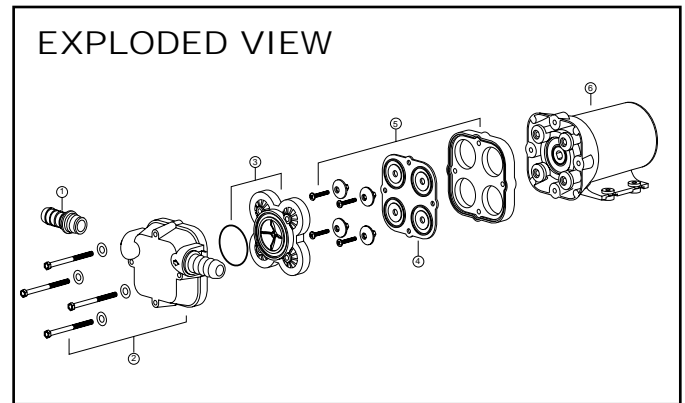
If the pump has been leaking, the diaphragm must be replaced. Remove the four phillips head diaphragm retainer screws and mushroom shaped diaphragm retainer caps. Remove the diaphragm and diaphragm housing from the motor and wobble plate housing. Inspect the wobble plate bearing to make certain it is not corroded and still rotates smoothly.

With the new diaphragm positioned in the diaphragm housing (ensure the raised sealing beads face outward away from the motor) hold it against the wobble plate with the four retaining cap holes aligned with the wobble plate sockets. Push each diaphragm retainer cap through the diaphragm and into the socket of the wobble plate. Secure each retaining cap to the wobble plate with a 1" phillips head retainer screw. Place the motor on its

rear end bell and position the valve cage against the diaphragm ensuring each cavities seal groove is seated on its sealing bead molded into the diaphragm. Ensure the O-ring seal that separates the pumps intake chamber from the discharge chamber is properly seated in the ID of the raised lip around the central discharge valve. While holding the port retainer clips in their slide grooves in the pump body, position the body on the diaphragm and inside the wobble plate housing. Secure the pump body to the wobble plate housing with the four 2-1/4" machine screws and flat washers.

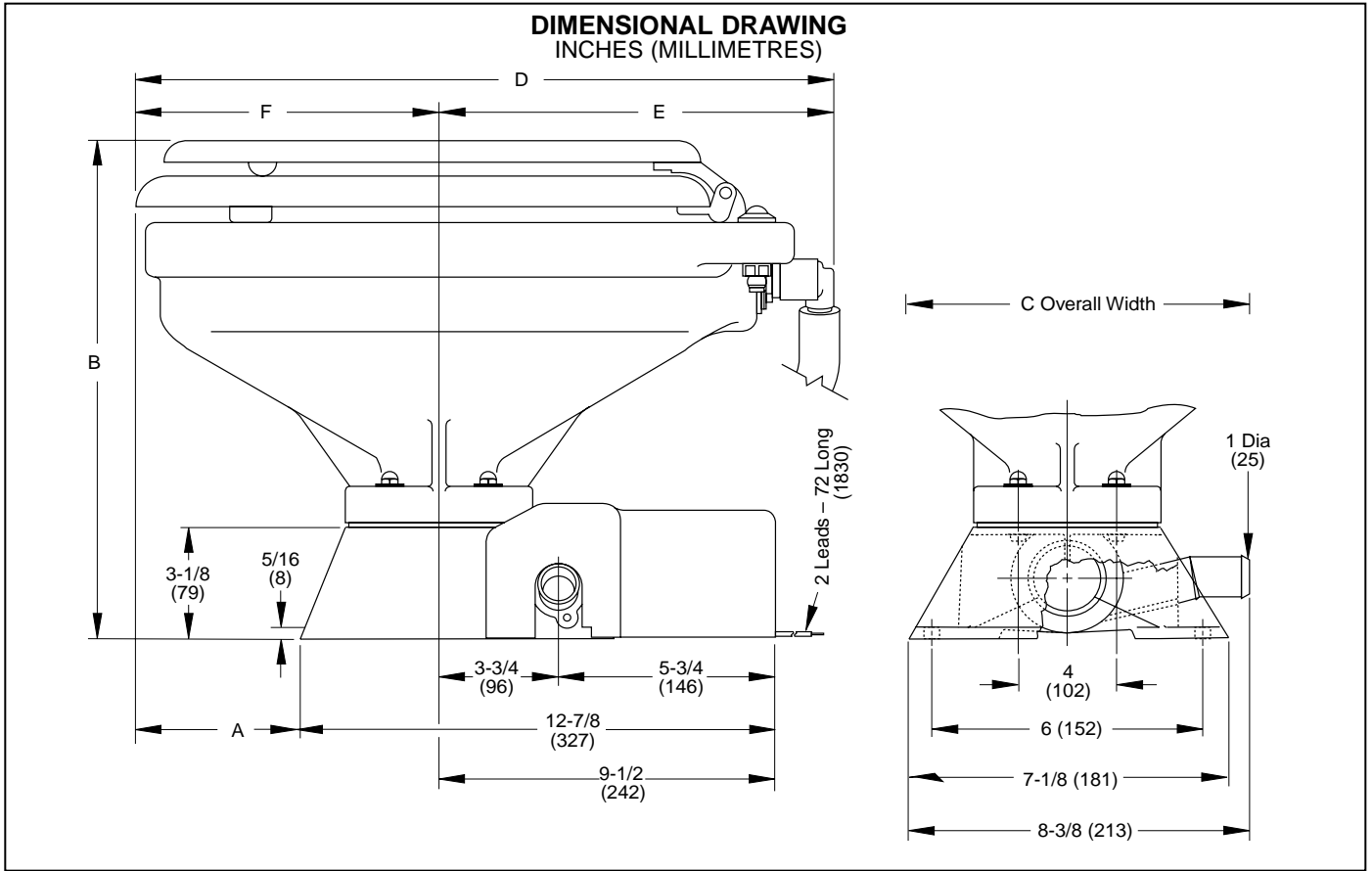
Reinstall the pump to its mounting surface with four fasteners through the rubber grommets. Ensure the sealing O-ring is properly positioned on each port fitting and, with the retaining clips slid back, push each port fitting into its respective socket. Slide each port retainer clip forward until it snaps securely into its seated position. Reconnect the orange motor lead to the positive supply wire and the black motor lead to the negative wire.

Ensure the inlet seacock is open before restoring power to and operating the toilet.

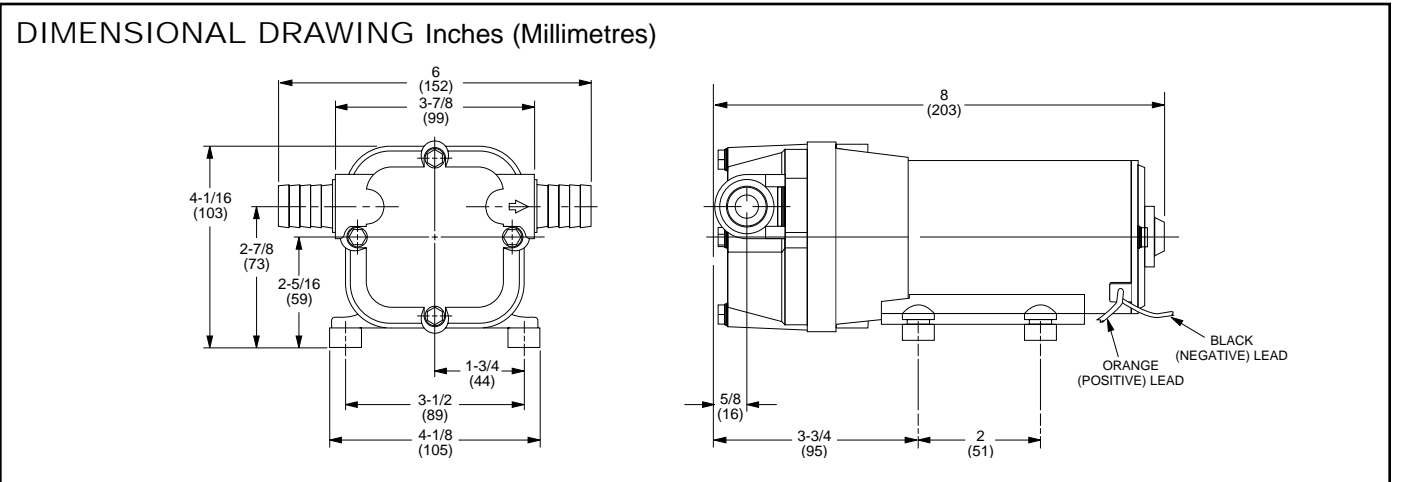


PARTS LIST

Key	Description	Qty. Req.	Part Number
1	Port Kit (1 pair)	1	30653-1004
2	Body Kit	1	30608-1001
3	Valve Cage / Valve Assembly	1	30613-1000
4	Diaphragm Kit	1	30617-1000
5	Diaphragm Housing & Retainer Cap Kit	1	30682-1000
6	Motor Kit 12 Vdc	1	18753-0463
	Motor Kit 12 Vdc EMC	1	18753-0577
	Motor Kit 24 Vdc	1	18753-0464
	Motor Kit 24 Vdc EMC	1	18753-0578
	Motor/Pump Assy 12 Vdc	1	30631-1012
	Motor/Pump Assy 12 Vdc EMC	1	30631-1092
	Motor/Pump Assy 24 Vdc	1	30631-1024
	Motor/Pump Assy 24 Vdc EMC	1	30631-1094



	A	B	C	D	E	F
Compact Size Bowl	3-1/8 (79)	14-1/8 (359)	13-1/8 (333)	16-1/2 (419)	10 (254)	6-1/2 (165)
Household Size Bowl	4-5/8 (117)	14-1/8 (359)	14-3/4 (375)	19-3/4 (502)	10-3/4 (273)	9 (229)



ONE YEAR LIMITED WARRANTY

A. LIMITED WARRANTY: warrants that at the time of shipment, the products manufactured by and sold hereunder shall be in conformity with applicable written specifications and descriptions referred to or set forth herein, free from defects in material and workmanship, merchantable, and suitable for a particular purpose, provided such is implied by State law under the circumstances of this sale.

B. WARRANTY ADJUSTMENT:

1. Agrees to repair or furnish a replacement for, but not to remove or install, any product or component thereof which, within one (1) year from date of purchase, shall upon test and examination by prove defective within the above warranty. Receipt verifying purchase date is required to obtain adjustment.
2. Buyer shall notify of any defect within this warranty no later than ninety (90) days after the defect is discovered.
3. No product will be accepted for return or replacement without the prior written authorization of ITT. Upon such authorization, and in accordance with instructions from, the product will be returned to, shipping charges prepaid by Buyer. Products returned to will be addressed as follows:

JABSCO

1485 Dale Way

Costa Mesa, California 92626-3998

Or to such alternate locations as may be designated on the product, its container, or this sheet. Repair or replacement made under this warranty will be shipped prepaid to Buyer.

C. EXCLUSIONS FROM WARRANTY AND LIMITATION OF LIABILITY:

1. The foregoing warranty is limited solely as set forth herein and applies only for the period designated above.
2. SHALL NOT BE LIABLE FOR ANY LOSS, DAMAGE, SPECIAL OR CONSEQUENTIAL DAMAGE OF

ANY KIND, WHETHER BASED UPON WARRANTY, CONTRACT, NEGLIGENCE, OR STRICT LIABILITY ARISING IN CONNECTION WITH THE SALE, USE, OR REPAIR OF THE PRODUCT.

3. THE MAXIMUM LIABILITY OF IN CONNECTION WITH THIS WARRANTY SHALL NOT IN ANY CASE EXCEED THE CONTRACT PRICE FOR THE PRODUCT CLAIMED TO BE DEFECTIVE OR UNSUITABLE.
4. This warranty does not extend to any product manufactured by which has been subjected to misuse, neglect, accident, improper installation, or use in violation of instructions furnished by.
5. This warranty does not extend to or apply to any unit which has been repaired or altered at any place other than factory, or by persons not expressly approved by, nor to any unit the serial number, model number, or identification of which has been removed, defaced or changed.
6. Components manufactured by any supplier other than shall bear only that warranty made by the manufacturer of that product.
7. This warranty applies to products defined as "consumer products" by the Consumer Product Warranties Act as from time to time amended.

D. CONSUMER RIGHTS: This warranty gives you specific legal rights, and you may have other rights which vary from state to state. Some states do not allow exclusion or limitation of damages.

STANDARD WARRANTY: If the products manufactured and sold hereunder are not Consumer Products, the warranty extended to Buyer shall be as set forth in subparagraphs (A), (B), and (C), EXCEPT THAT ALL EXPRESS OR IMPLIED WARRANTIES OR MERCHANTABILITY OR SUITABILITY FOR ANY PARTICULAR PURPOSE ARE EXCLUDED.

Jabsco



U.S.A.
Jabsco
1485 Dale Way, P.O. Box 2158
Costa Mesa, CA 92628-2158
Tel: (714) 545-8251
Fax: (714) 957-0609

UNITED KINGDOM
Jabsco
Bingley Road, Hoddesdon
Hertfordshire EN11 OBU
Tel: +44 (0) 1992 450145
Fax: +44 (0) 1992 467132

CANADA
Fluid Products Canada
55 Royal Road
Guelph, Ontario N1H 1T1
Tel: (519) 821-1900
Fax: (519) 821-2569

JAPAN
NHK Jabsco Company Ltd.
3-21-10, Shin-Yokohama
Kohoku-Ku, Yokohama, 222
Tel: 045-4758906
Fax: 045-475-8908

GERMANY
Jabsco GmbH
Oststrasse 28
22844 Norderstedt
Tel: +49-40-53 53 73 -0
Fax: +49-40-53 53 73 -11